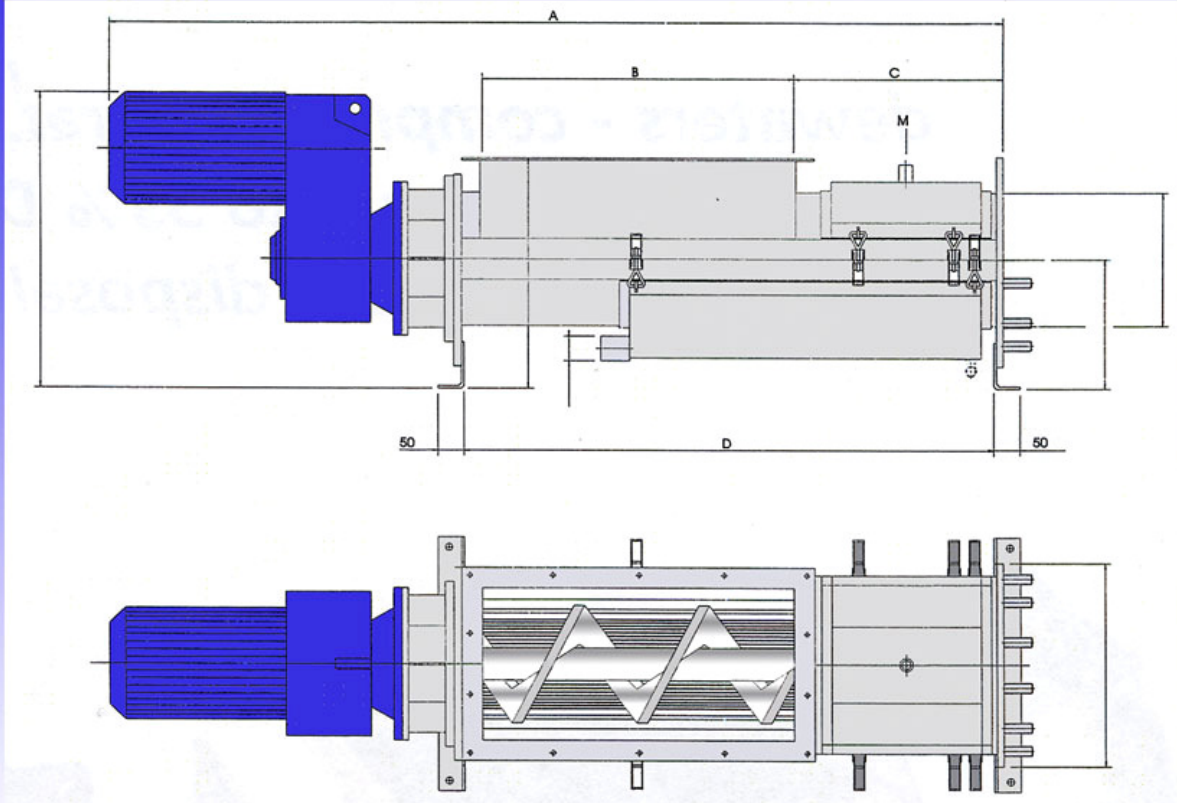


# Screw Press CSP



Model	A	B	C	D	E	F	G	H	I	DN PN10	K	L	M	P kW
250/600	1855	600x300	405	1023	400	580	450	48.3	253	DN 250	500	460	1/2"	3.6
250/800	2055	800x300	405	1223	400	580	450	48.3	253	DN 250	500	460	1/2"	3.6
250/1000	2255	1000x300	405	1423	400	580	450	48.3	253	DN 250	500	460	1/2"	3.6
250/1200	2455	1200x300	405	1623	400	580	450	48.3	253	DN 250	500	460	1/2"	3.6
400/600	2335	600x402	405	1271	580	800	620	108	350	DN 400	660	620	3/4"	6.8
400/800	2535	800x402	405	1471	580	800	620	108	350	DN 400	660	620	3/4"	6.8
400/1000	2735	1000x402	405	1671	580	800	620	108	350	DN 400	660	620	3/4"	6.8
400/1200	2935	1200x402	405	1871	580	800	620	108	350	DN 400	660	620	3/4"	6.8

**ÇEVTAŞ ÇEVRE TEKNOLOJİSİ TİC ve SAN A.Ş**  
Bağdat Cad. 100.Yıl Apt.78/13 Küçükyalı  
34840 İSTANBUL / TÜRKİYE

Tel: +90 216 489 12 58-59  
Fax: +90 216 388 74 00, +90 216 489 62 70  
E-mail : cevtas@cevtas.com.tr

